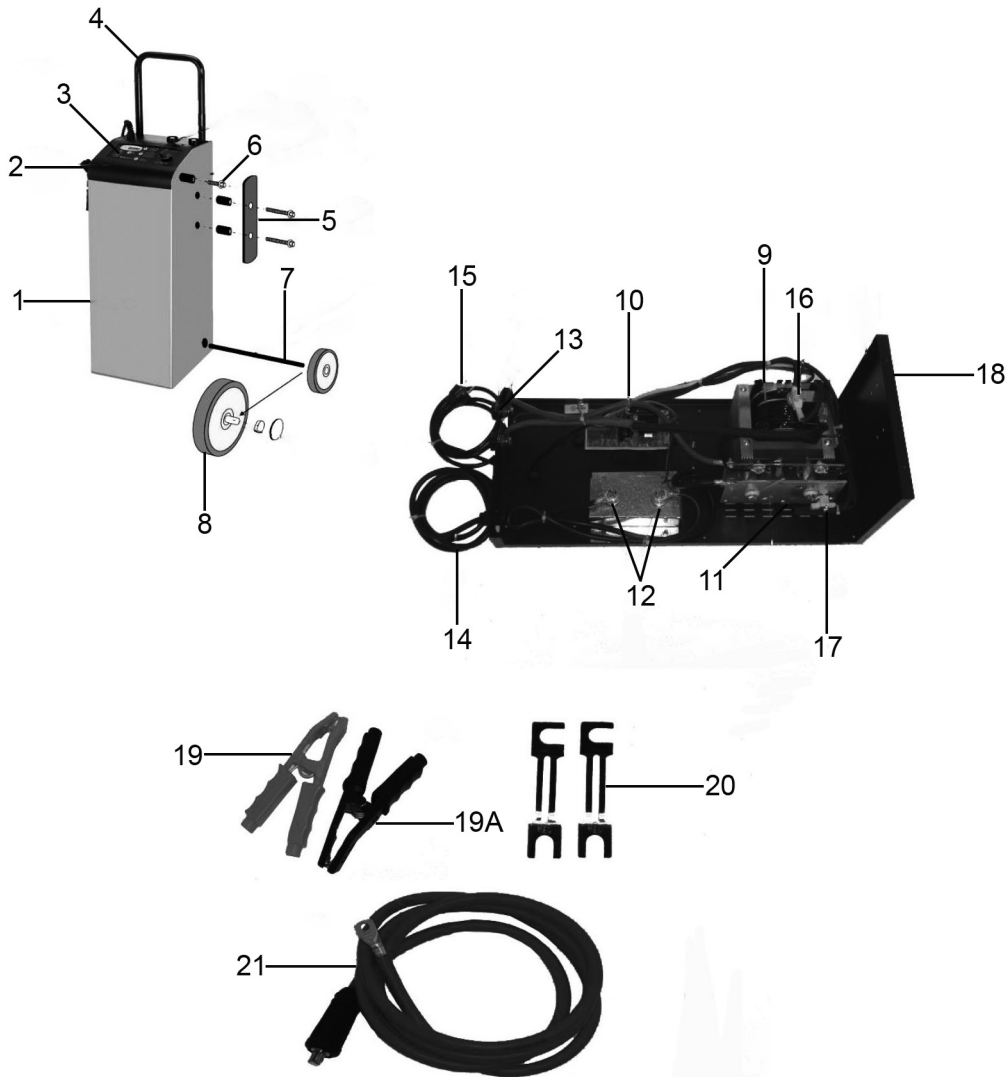




Parts Information:
Electronic Charger Starter 75/400A 12/24V
Model No: ECS400



Item	Part No.	Description
1	ECS400.01	Front Panel
2	ECS650.02	Top Panel
3	ECS400.03	Display Panel
4	ECS650.04	Handle
5	ECS650.05	Cable Reel Kit
6	ECS650.06	Clamp Support Kit
7	ECS650.07	Wheel Axle
8	ECS650.08	Wheel, Fixed (Set Of 2)
9	ECS400.09	Transformer
10	ECS650.10	PCB
11	SSTART500.15	Rectifier
12	ECS650.12	Fuse Support

Item	Part No.	Description
13	ECS650.13	Power Outlet
14	ECS400.14	Cable, Negative
15	MC3CX2.5	Mains Cable
16	ECS650.16	Thermostat 13A
17	ECS650.17	Thermostat 11A
18	ECS650.18	Base
19	ECS650.20	Positive Clamp
19A	ECS650.20A	Negative Clamp
20	120/122452	Fuse
21	ECS400.21	Cable, Positive
--	120/802131	Fuse, Pack of 10 (Not Shown)

NOTE: It is our policy to continually improve products and as such we reserve the right to alter data, specifications and component parts without prior notice. There may be alternative versions of this product, please contact us should you require this information.

IMPORTANT: No liability is accepted for incorrect use of product. Spare parts must be fitted by a competent person

WARRANTY: Guarantee is 12 months from purchase date, proof of which will be required for any claim.

Sealey Group, Kempson Way, Suffolk Business Park, Bury St Edmunds, Suffolk. IP32 7AR



01284 757500



01284 703534



sales@sealey.co.uk



www.sealey.co.uk